

COMPRESSOR

Displacement (cm ³)	4.04
Diameter (mm)	20.9
Stroke (mm)	11.83
Net Weight (Kg)	10
Oil type	ISO VG 46 ESTER
Oil charge (cm ³)	300

MOTOR

Approximate Power (CV)	1/6
Voltage/Frequency (V/Hz)	220V 50Hz
Voltage range (V)	187-264
Code	62.065
Type	CSIR
Phase number	1 PH
Locked rotor current (A)	8.5
Main W. resist. at 25°C (Ω)	12.13
Start W. resist. at 25°C (Ω)	48.84

APPLICATION

Application	High/Mid. back pressure
Refrigerant	R404A
Evaporating (°C)	-25 to 10
Expansion	Capillar/Valve
Comp. cooling	Fan cooled
Max. ambient temp. (°C)	43

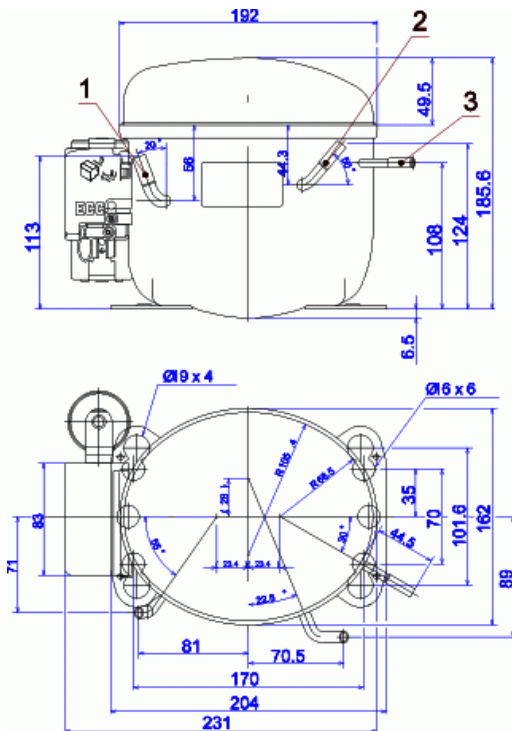
NOMINAL PERFORMANCE	CYCLE C	CYCLE D
Cooling capacity (kcal/h)	407	510
Input power (W)	330	340
EER (kcal/Wh)	1.23	1.50
COP (W/W)	1.43	1.74
Current (A)	1.85	1.89

TEST CONDITIONS

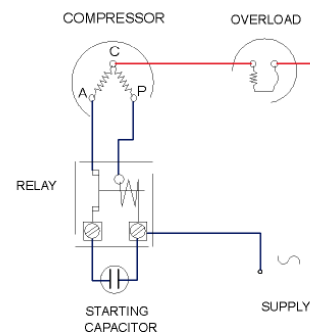
Evaporating temp. (°C)	5.0	7.2
Condensing temp. (°C)	55.0	55.0
Liq.t. entering expan. (°C)	55.0	46.0
Ambient t. and return (°C)	32.0	35.0
Tens/Freq (V/Hz)	220V 50Hz	220V 50Hz

ELECTRICAL COMPONENTS

Relay	2014 118.	
Pick-Up (A)	3,75	
Drop-Out (A)	3,20	
Protector	MRP304AMN	T0071
Current (A)	7.7	7.7
Time check (seg)	7.5-14	7.5-14
Disc temp. (Open/Close) (°C)	120.0 / 69.0	120.0 / 62.0
Starting capacitor (μF/V)/F/V)	47- 56 / 330	

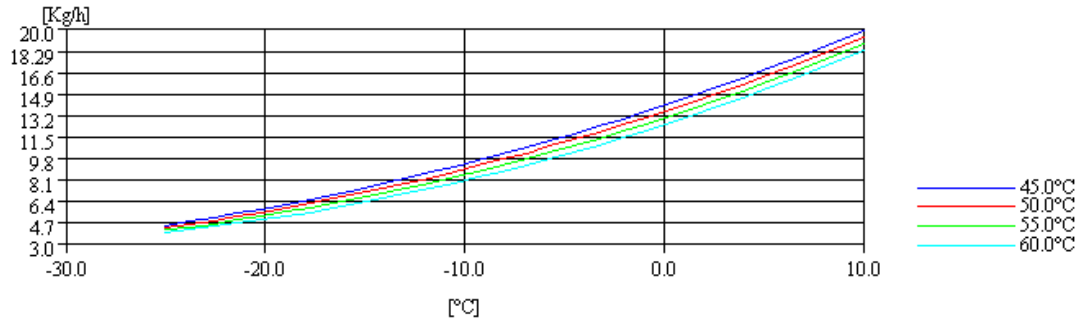
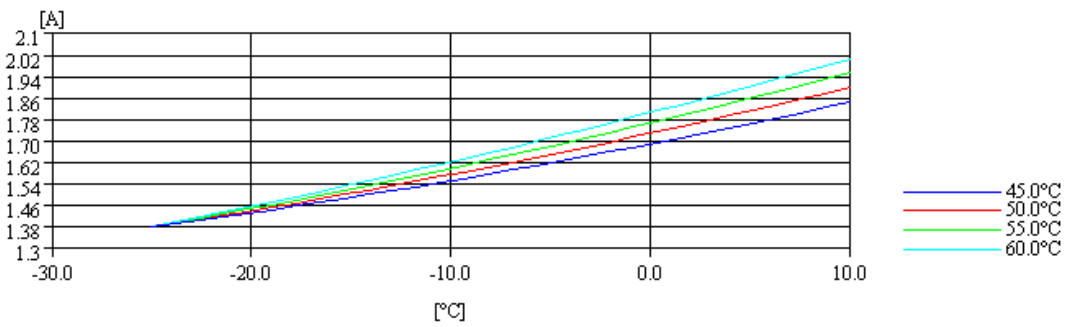
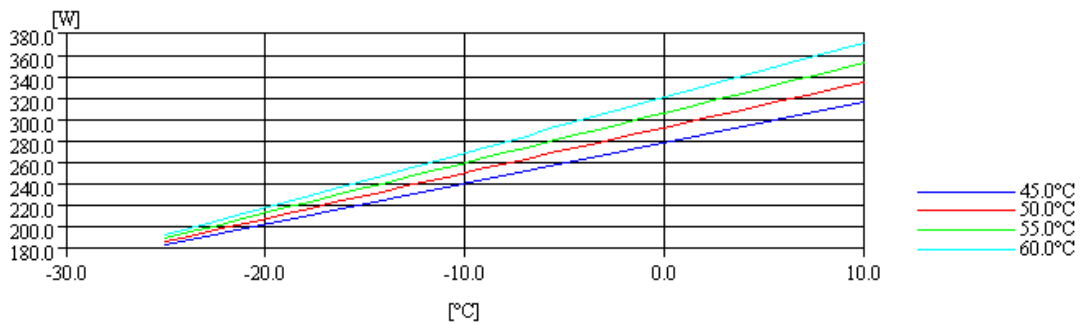
DIMENSIONS AND ELECTRICAL DIAGRAM


DESIGNATION	INTERNAL DIAM. (MM)
1 Suction/Service	6,5
2 Service/Suction	6,5
3 Discharge	4,9

CSIR


TEST CONDITIONS

Voltage/frequency	220V 50Hz
Ambient t. and return	35 °C
Liq.t. entering expan.	Subcooling 9 K

MASS FLOW

INTENSITY

CONSUMPTION

COOLING CAPACITY
