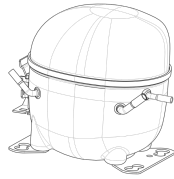


**220-240V 50 1~****GENERAL DATA****Application:** MBP**Refrigerant:** R290**Evaporating Temperature Range:** -20°C to 10°C**Compressor Cooling:** Fan**Fan air flow:** 520 m<sup>3</sup>/h**Type:** Hermetic reciprocating**Technology Type:** On-Off**Expansion Device:** Capillary Tube or Expansion Valve**Packing Quantity:** Multi - 37 pcs**Displacement:** 12.11 cm<sup>3</sup>**Horse power:** 1.2 hp
**Approvals:**   
**MECHANICAL DATA****Bore:** 27.78 mm**Stroke:** 20 mm**Oil Charge:** 350ml +/-15ml**Free Internal Volume:** 2.1 cm<sup>3</sup>**Maximum Recommended Refrigerant Charge:** 150 g**Oil Type Configuration:** Polyolester**Oil Type Viscosity:** ISO22**Compressor pressurization:** Without dry air charge**Weight:** 12 kg**ELECTRICAL DATA****Motor Type:** CSIR**Starting Torque:** HST**Voltage working range at 50 Hz:** 198-254 V**Maximum Motor Temperature:** 130 °C**Start Winding Resistance:** 18.67 Ω (± 10%) at 25°C**Run Winding Resistance:** 4.19 Ω (± 10%) at 25°C**Locked Rotor Amperage (LRA):** 17 A**MOUNTING ACCESSORIES**

	Description	Code
<b>Anchorage:</b>	no	-
<b>Capacitor Bracket:</b>	no	-
<b>Washer:</b>	no	-
<b>Pin:</b>	no	-
<b>Clip:</b>	no	-
<b>Rotolock valve:</b>	no	-
<b>Cover:</b>	yes	2075282
<b>Grommets:</b>	yes	2221011
<b>Sleeves:</b>	yes	2222018
<b>Terminal Board:</b>	yes	1027060
<b>Overload Protector Bracket:</b>	yes	2075299

**ELECTRICAL COMPONENTS**

	Component type	Description	Code
<b>Starting Device:</b>	Current relay	MTRP-0027-65	2334107
<b>Start Capacitor:</b>		53-64 MFD 330V	2252346
<b>Motor Protection:</b>	External 3/4"	T0741/G6	2319079

**EXTERNAL CHARACTERISTICS****Base Plate:** European**Tray Holder:** No**Height:** 206 mm

	Internal Diameter (mm)	Material	Shape
<b>Suction Connector</b>	8.1	Copper	Slanted 42°
<b>Discharge Connector</b>	6.1	Copper	Straight
<b>Process Connector</b>	6.1	Copper	Slanted 42°



**RATED POINT DATA**

Cooling Capacity (W)	Power Consumption (W)	Current Consumption (A)	Gas Flow Rate (kg/h)	Efficiency (W/W)
±5%	±5%	±5%	±5%	±7%
878	470	2.95	10.10	1.87

Test condition: EN 12900, Fan, Return Gas 20°C, Subcooling OK, Evaporating: -10°C, Condensing: 45°C, Ambient: 35°C

**PERFORMANCE CURVE DATA****220V 50Hz**

Condensing Temperature (°C)	Evaporating Temperature (°C)	Cooling Capacity (W)	Power Consumption (W)	Current Consumption (A)	Gas Flow Rate (kg/h)	Efficiency (W/W)
		±5%	±5%	±5%	±5%	±7%
<b>35°C</b>	10	2 019	528	3.19	21.83	3.83
	5	1 720	504	3.10	18.43	3.41
	0	1 452	479	3.00	15.43	3.03
	-5	1 213	452	2.90	12.81	2.68
	-10	1 005	424	2.79	10.55	2.37
	-15	826	395	2.68	8.65	2.09
	-20	677	364	2.56	7.08	1.86

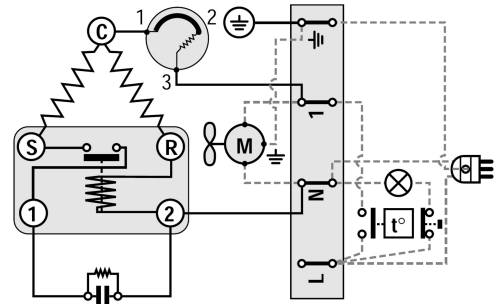
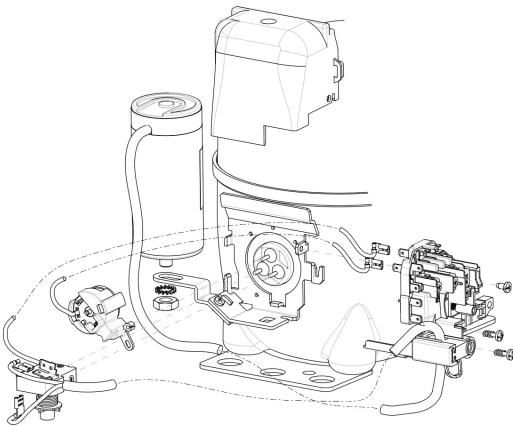
Condensing Temperature (°C)	Evaporating Temperature (°C)	Cooling Capacity (W)	Power Consumption (W)	Current Consumption (A)	Gas Flow Rate (kg/h)	Efficiency (W/W)
		±5%	±5%	±5%	±5%	±7%
<b>45°C</b>	10	1 744	604	3.53	20.62	2.89
	5	1 499	573	3.39	17.58	2.62
	0	1 272	540	3.24	14.82	2.36
	-5	1 065	506	3.10	12.33	2.11
	-10	878	470	2.95	10.10	1.87
	-15	709	433	2.81	8.11	1.64
	-20	560	394	2.66	6.35	1.42

Condensing Temperature (°C)	Evaporating Temperature (°C)	Cooling Capacity (W)	Power Consumption (W)	Current Consumption (A)	Gas Flow Rate (kg/h)	Efficiency (W/W)
		±5%	±5%	±5%	±5%	±7%
<b>55°C</b>	10	1 329	694	3.95	17.50	1.91
	5	1 170	652	3.74	15.24	1.79
	0	1 019	609	3.53	13.15	1.67
	-5	876	563	3.33	11.22	1.55
	-10	742	516	3.13	9.45	1.44

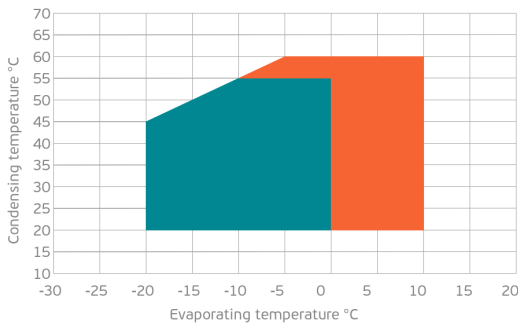
Test condition: EN 12900, Fan, Return Gas 20°C, Subcooling OK, Ambient: 35°C

**ASSEMBLY INSTRUCTION**

**WIRING DIAGRAM**

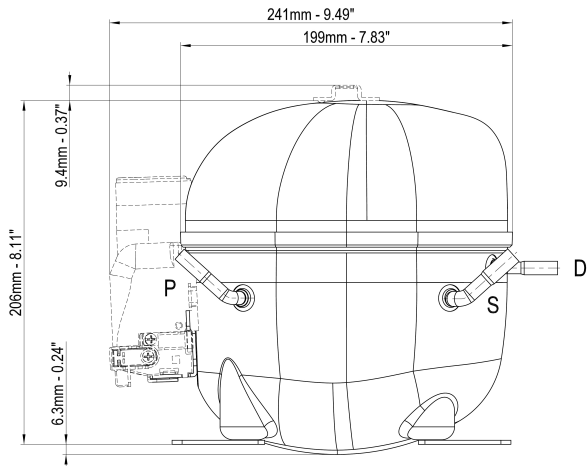


**OPERATING ENVELOPE**



- Operating Condition
- Transient Condition
- Superheating

**NOTE:** usage of compressors outside of intended working range cannot make use of the warranty, or should be consulted with Technical support.



	∅ mm	∅ in	Material
<b>S - Suction</b>	8.10 - 8.20	0.32	Cu
<b>P - Process</b>	6.10 - 6.20	0.24	Cu
<b>D - Discharge</b>	6.10 - 6.20	0.24	Cu

