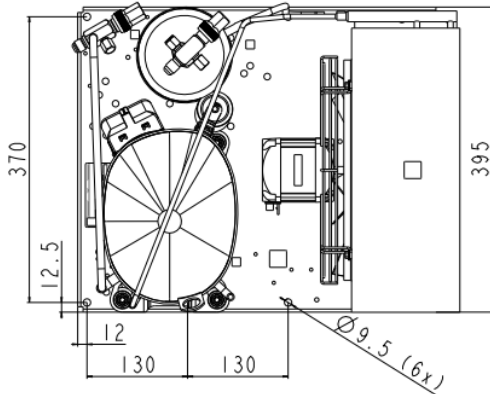
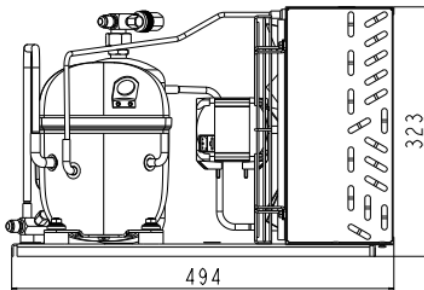


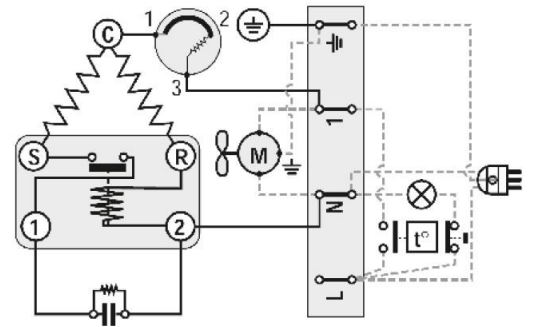
GENERAL DATA

Application:	LBP
Refrigerant:	R404A
Expansion Device:	C-V
Weight:	34.1 kg
Receiver:	2.3 liter
Voltage/Frequency:	220 - 240 V 50 ~
Height:	34.1 mm
Length:	494 mm
Width:	395 mm
Institute Approvals:	CE

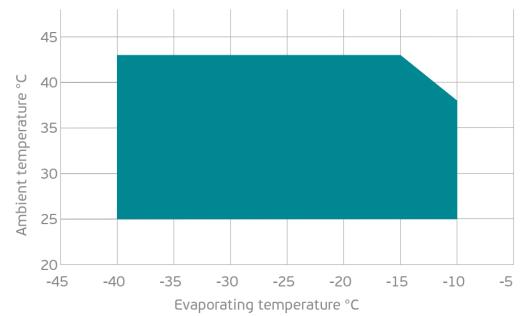
EXTERNAL DIMENSIONS



WIRING DIAGRAM



OPERATING ENVELOPE



COMPONENTS (SPARE PARTS)

condenser:	3R12T	2451218
valve_suca:	FLARE 3/8"	2110024
compressor:	NT2192GK	923EA04..AC

valve_disch:	FLARE 3/8"	2110056
fankit:	34W 275/31°/5B	1996588
elkit:	ELKOM NT2192GK	923EA0413A

For additional accessories please contact our technical support

ELECTRICAL DATA

Motor Type: CSIR -
Locked Rotor Amperage (RLA): 35 A
Max.Current: 5.47 A

At maximum evaporating temperature and maximum ambient temperature.

FAN MOTOR

Number: 1 -
Shaft Power: 34 W
Air Flow: 800 m³/hod
Blade Diameter: 275 mm

PERFORMANCE CURVE DATA

Standard: EN13215-RG20 / return gas 20°C, subcooling 3K

50 Hz

	Evaporating Temperature (°C)	Cooling Capacity (W)	Power Consumption (W)	Current Consumption (A)	Efficiency (W/W)
25°C Ambient Temperature	-10°C	2 001	1 098	6.39	1.82
	-15°C	1 664	996	5.97	1.67
	-20°C	1 361	896	5.58	1.52
	-25°C	1 091	798	5.22	1.37
	-30°C	855	704	4.91	1.22
	Rated point -35°C	654	612	4.63	1.07
	-40°C	486	524	4.39	0.93
32°C Ambient Temperature	-10°C	1 820	1 134	6.59	1.61
	-15°C	1 513	1 026	6.15	1.47
	-20°C	1 236	922	5.74	1.34
	-25°C	991	821	5.38	1.21
	-30°C	777	725	5.06	1.07
	Rated point -35°C	595	632	4.78	0.94
	-40°C	443	544	4.55	0.81
43°C Ambient Temperature	-15°C	1 461	1 099	6.43	1.33
	-20°C	1 199	977	5.95	1.23
	-25°C	963	861	5.51	1.12
	-30°C	754	750	5.13	1.01
	Rated point -35°C	572	645	4.80	0.89
	-40°C	417	546	4.52	0.76