

GS34TB_T VE09
220-240V 50Hz ~1

COMPRESSOR

Displacement (cm ³)	34.42
Diameter (mm)	42.87
Stroke (mm)	23.85
Net Weight (Kg)	22.7
Oil type	ISO VG 46 ESTER
Oil charge (cm ³)	860

MOTOR

Approximate Power (CV)	1
Voltage/Frequency (V/Hz)	220V 50Hz
Voltage range (V)	198-264
Code	-
Type	CSR
Phase number	1 PH
Locked rotor current (A)	32.0
Main W. resist. at 25°C (Ω)	1.94
Start W. resist. at 25°C (Ω)	7.44

APPLICATION

Application	High/Mid. back pressure
Refrigerant	R134a
Evaporating (°C)	-25 to 10
Expansion	Capillar/Valve
Comp. cooling	Fan cooled
Max. ambient temp. (°C)	43

NOMINAL PERFORMANCE

	CYCLE C	CYCLE D
Cooling capacity (kcal/h)	2452	2931
Input power (W)	1252	1300
EER (kcal/Wh)	1.95	2.25
COP (W/W)	2.27	2.62
Current (A)	6.40	6.59

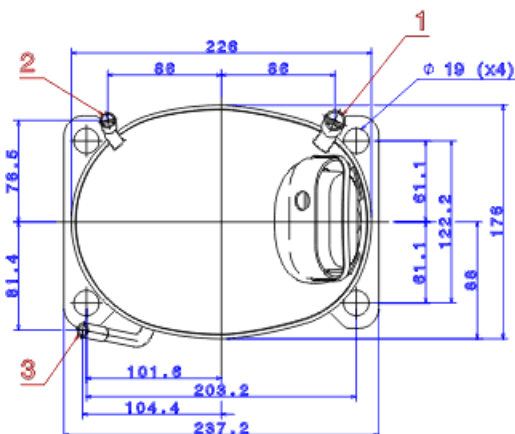
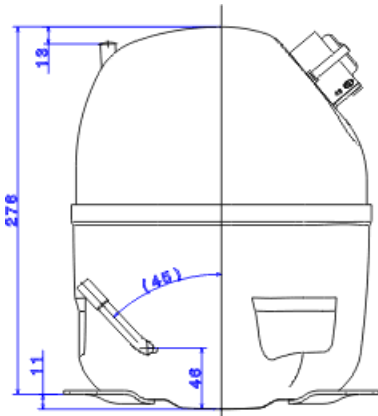
TEST CONDITIONS

Evaporating temp. (°C)	5.0	7.2
Condensing temp. (°C)	55.0	55.0
Liq.t. entering expans. (°C)	55.0	46.0
Ambient t. and return (°C)	32.0	35.0
Tens/Freq (V/Hz)	220V 50Hz	220V 50Hz

ELECTRICAL COMPONENTS

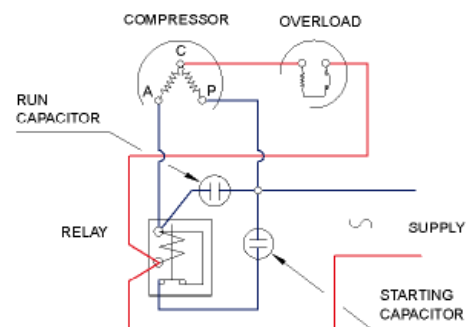
Relay	3ARR3 3AV3	RVA 2L..
Pick-Up	224-252 (V)	224-252 (V)
Drop-Out	40-90 (V)	40-105 (V)
Protector	MRT18AJN	T0161
Current (A)	20.2	26.5
Time check (seg)	8.5-13	2.8-5.2
Disc temp. (Open/Close) (C)	120.0 / 69.0	120.0 / 69.0
Starting capacitor (μF/V)F/V)	88-108 / 330	
Run capacitor (μF/V)	16 / 450	

DIMENSIONS AND ELECTRICAL DIAGRAM



	DESIGNATION	INTERNAL DIAM. (MM)
1	Suction	12,7
2	Service	9,6
3	Discharge	8,0

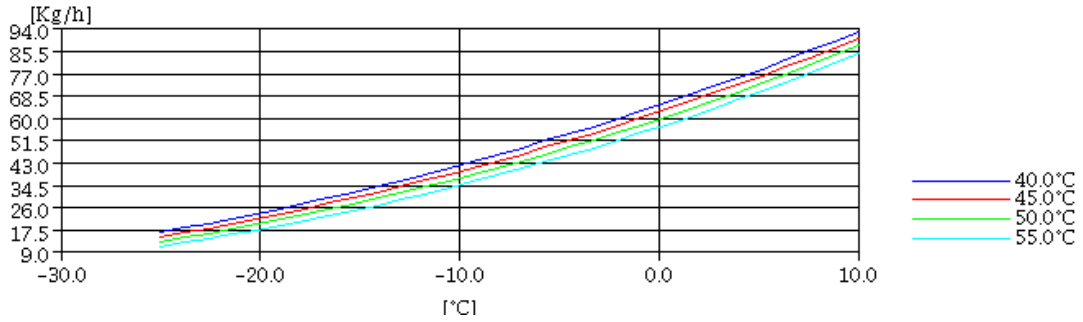
CSR



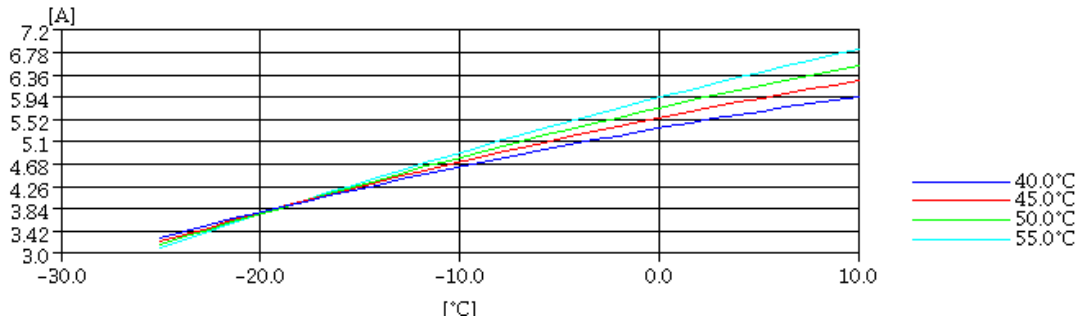
TEST CONDITIONS

Voltage/frequency	220V 50Hz
Ambient t. and return	35 °C
Liq.t. entering expan.	Subcooling 9 K

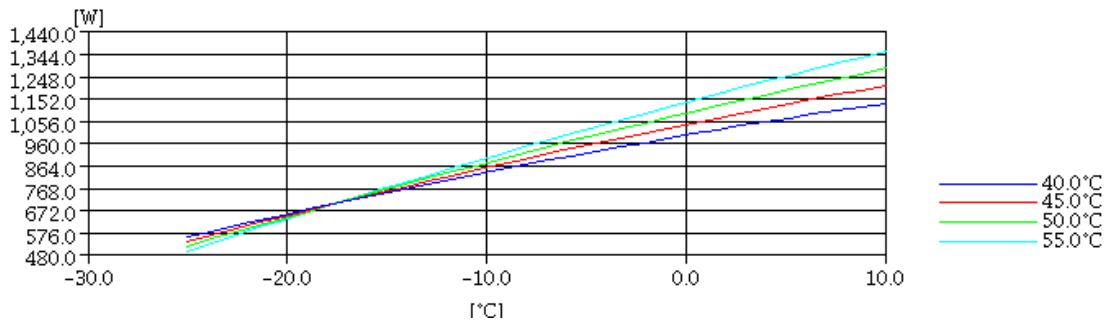
MASS FLOW



INTENSITY



CONSUMPTION



COOLING CAPACITY

