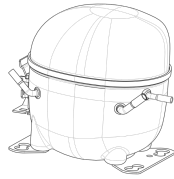


220-240V 50 1~**GENERAL DATA**

Application: MBP
Refrigerant: R290
Evaporating Temperature Range: -20°C to 10°C
Compressor Cooling: Fan
Fan air flow: 520 m³/h
Type: Hermetic reciprocating
Technology Type: On-Off
Expansion Device: Capillary Tube or Expansion Valve
Packing Quantity: Multi - 28 pcs
Displacement: 14.28 cm³
Horse power: 3.4 hp

Approvals:    

MECHANICAL DATA

Bore: 30.16 mm
Stroke: 20 mm
Oil Charge: 350ml +/-15ml
Free Internal Volume: 2.1 cm³
Maximum Recommended Refrigerant Charge: 150 g
Oil Type Configuration: Polyolester
Oil Type Viscosity: ISO22
Compressor pressurization: Without dry air charge
Weight: 12.3 kg

ELECTRICAL DATA

Motor Type: CSR
Starting Torque: HST
Voltage working range at 50 Hz: 198-254 V
Maximum Motor Temperature: 130 °C
Start Winding Resistance: 11.03 Ω (± 10%) at 25°C
Run Winding Resistance: 5.15 Ω (± 10%) at 25°C
Locked Rotor Amperage (LRA): 21 A

MOUNTING ACCESSORIES

	Description	Code
Terminal Board:	no	-
Anchorage:	no	-
Capacitor Bracket:	no	-
Washer:	no	-
Pin:	no	-
Clip:	no	-
Rotolock valve:	no	-
Grommets:	yes	2221011
Sleeves:	yes	2222018
Overload Protector Bracket:	yes	2075299
Cover:	yes	2075278

ELECTRICAL COMPONENTS

	Component type	Description	Code
Starting Device:	Potential relay	RVA3AN3C-647	1253026
Start Capacitor:		88-108 MFD 330V	2252269
Run Capacitor:		12.5 MFD	2253318
Motor Protection:	External 3/4"	MST30AMK-3261	2321139
CSR / CSIR Box:	yes		1272369

EXTERNAL CHARACTERISTICS

Base Plate: European
Tray Holder: No
Height: 206 mm

	Internal Diameter (mm)	Material	Shape
Suction Connector	8.1	Copper	Slanted 42°
Discharge Connector	6.1	Copper	Straight
Process Connector	6.1	Copper	Slanted 42°

RATED POINT DATA

Cooling Capacity (W)	Power Consumption (W)	Current Consumption (A)	Gas Flow Rate (kg/h)	Efficiency (W/W)
±5%	±5%	±5%	±5%	±7%
1 058	517	2.46	13.00	2.05

Test condition: EN 12900, Fan, Return Gas 20°C, Subcooling OK, Evaporating: -10°C, Condensing: 45°C, Ambient: 35°C

PERFORMANCE CURVE DATA

220V 50Hz

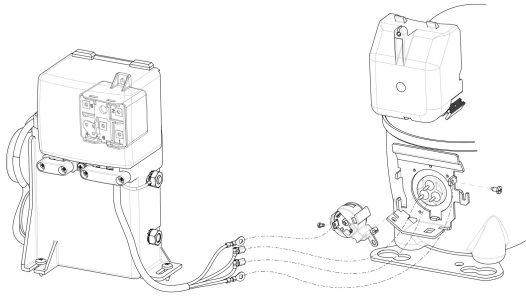
Condensing Temperature (°C)	Evaporating Temperature (°C)	Cooling Capacity (W)	Power Consumption (W)	Current Consumption (A)	Gas Flow Rate (kg/h)	Efficiency (W/W)
		±5%	±5%	±5%	±5%	±7%
35°C	10	2 450	575	2.73	28.44	4.26
	5	2 084	550	2.61	23.91	3.79
	0	1 755	524	2.49	19.94	3.35
	-5	1 463	497	2.37	16.48	2.94
	-10	1 208	469	2.25	13.52	2.58
	-15	991	439	2.12	11.02	2.26
	-20	811	407	1.99	8.97	1.99

Condensing Temperature (°C)	Evaporating Temperature (°C)	Cooling Capacity (W)	Power Consumption (W)	Current Consumption (A)	Gas Flow Rate (kg/h)	Efficiency (W/W)
		±5%	±5%	±5%	±5%	±7%
45°C	10	2 152	654	3.09	27.50	3.29
	5	1 830	622	2.94	23.11	2.94
	0	1 541	589	2.79	19.24	2.62
	-5	1 284	554	2.63	15.88	2.32
	-10	1 058	517	2.46	13.00	2.05
	-15	865	479	2.30	10.56	1.81
	-20	704	439	2.13	8.53	1.61

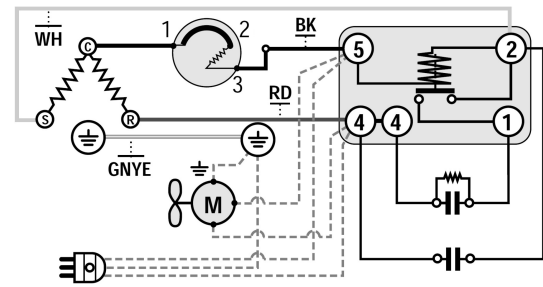
Condensing Temperature (°C)	Evaporating Temperature (°C)	Cooling Capacity (W)	Power Consumption (W)	Current Consumption (A)	Gas Flow Rate (kg/h)	Efficiency (W/W)
		±5%	±5%	±5%	±5%	±7%
55°C	10	1 836	741	3.51	26.27	2.48
	5	1 562	700	3.31	22.04	2.23
	0	1 315	657	3.11	18.33	2.00
	-5	1 095	612	2.90	15.11	1.79
	-10	902	565	2.69	12.34	1.60

Test condition: EN 12900, Fan, Return Gas 20°C, Subcooling OK, Ambient: 35°C

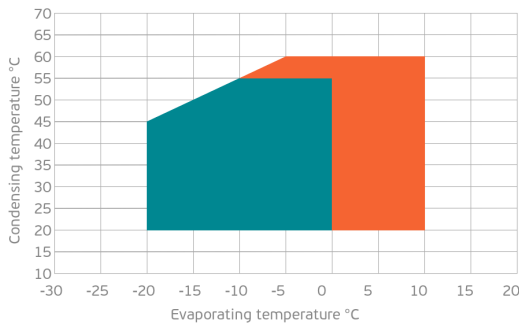
ASSEMBLY INSTRUCTION



WIRING DIAGRAM

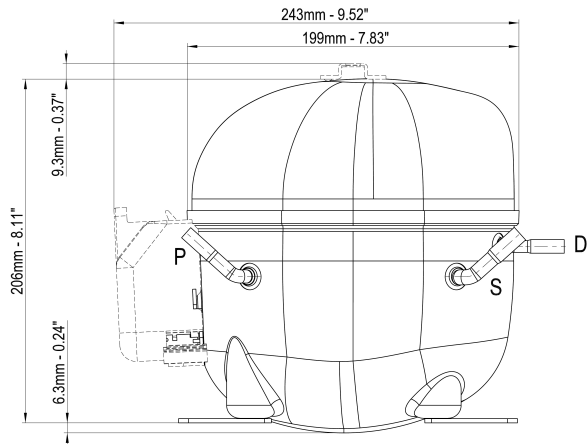


OPERATING ENVELOPE

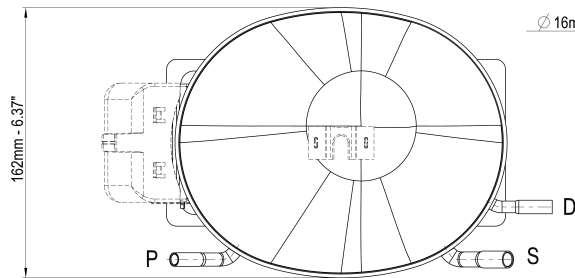


- Operating Condition
- Transient Condition
- Superheating

NOTE: usage of compressors outside of intended working range cannot make use of the warranty, or should be consulted with Technical support.



	∅ mm	∅ in	Material
S - Suction	8.10 - 8.20	0.32	Cu
P - Process	6.10 - 6.20	0.24	Cu
D - Discharge	6.10 - 6.20	0.24	Cu



∅ 16mm - 0.63" (x6)

