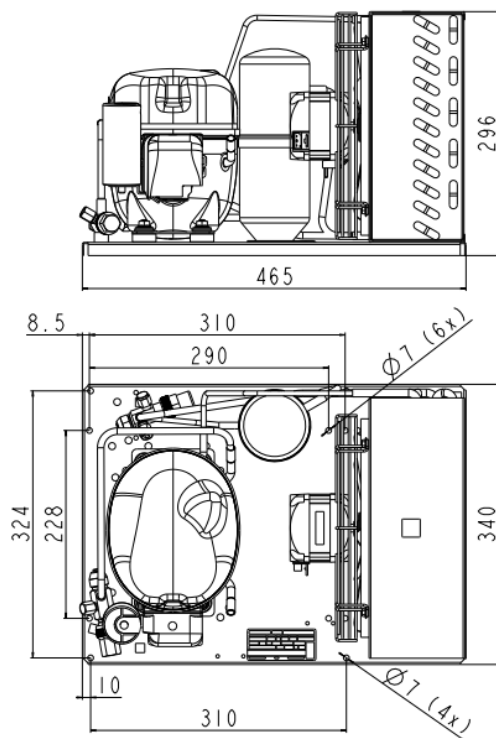


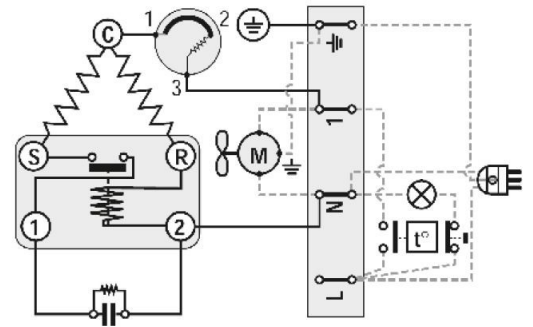
### GENERAL DATA

<b>Application:</b>	M/HBP
<b>Refrigerant:</b>	R134a
<b>Expansion Device:</b>	C-V
<b>Weight:</b>	21 kg
<b>Receiver:</b>	1.1 liter
<b>Voltage/Frequency:</b>	220 - 240 V 50 ~
<b>Height:</b>	21 mm
<b>Length:</b>	465 mm
<b>Width:</b>	340 mm
<b>Institute Approvals:</b>	<b>CE</b>

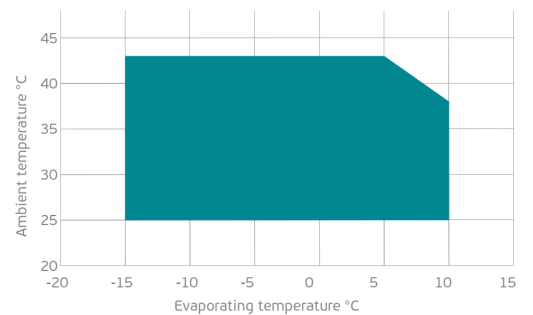
### EXTERNAL DIMENSIONS



### WIRING DIAGRAM



### OPERATING ENVELOPE



### COMPONENTS (SPARE PARTS)

<b>condenser:</b>	3R11T	2451206
<b>valve_suca:</b>	FLARE 3/8"	2110024
<b>compressor:</b>	NEK6187Z	268AA51..AM

<b>fankit:</b>	16W 254/28°/5B	1996610
<b>valve_disch:</b>	FLARE 1/4"	2110025
<b>elkit:</b>	ELKOM NEK6187Z	268AA51N1A

For additional accessories please contact our technical support

**ELECTRICAL DATA**

**Motor Type:** CSIR -  
**Locked Rotor Amperage (RLA):** 16.1 A  
**Max.Current:** 3.43 A

At maximum evaporating temperature and maximum ambient temperature.

**FAN MOTOR**

**Number:** 1 -  
**Shaft Power:** 16 W  
**Air Flow:** 320 m<sup>3</sup>/hod  
**Blade Diameter:** 254 mm

**PERFORMANCE CURVE DATA**

Standard: EN13215-RG20 / return gas 20°C, subcooling 3K

50 Hz

	Evaporating Temperature (°C)	Cooling Capacity (W)	Power Consumption (W)	Current Consumption (A)	Efficiency (W/W)
<b>25°C</b> Ambient Temperature	10°C	1 171	422	2.79	2.77
	5°C	992	391	2.69	2.54
	0°C	832	361	2.60	2.30
	-5°C	689	334	2.53	2.06
	Rated point -10°C	565	309	2.47	1.83
	-15°C	457	286	2.42	1.60
<b>32°C</b> Ambient Temperature	10°C	1 081	442	2.85	2.44
	5°C	915	408	2.74	2.24
	0°C	767	376	2.64	2.04
	-5°C	634	347	2.56	1.83
	Rated point -10°C	517	320	2.48	1.62
	-15°C	416	295	2.42	1.41
<b>43°C</b> Ambient Temperature	5°C	751	444	2.84	1.69
	0°C	624	406	2.72	1.54
	-5°C	511	370	2.61	1.38
	Rated point -10°C	412	337	2.52	1.22
	-15°C	324	307	2.44	1.05