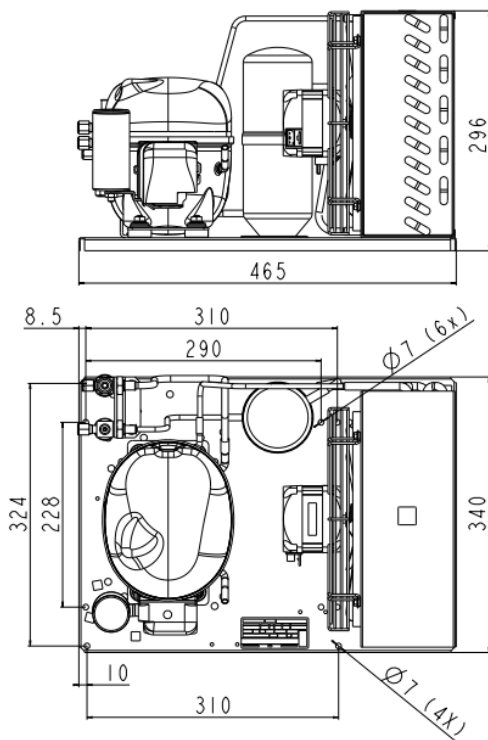


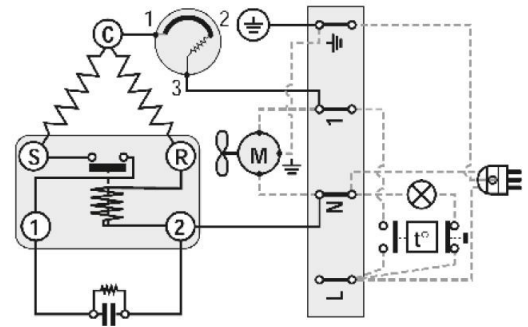
GENERAL DATA

Application:	LBP
Refrigerant:	R404A
Expansion Device:	C-V
Weight:	20 kg
Receiver:	1.1 liter
Voltage/Frequency:	220 - 240 V 50 ~
Height:	20 mm
Length:	465 mm
Width:	340 mm
Institute Approvals:	CE

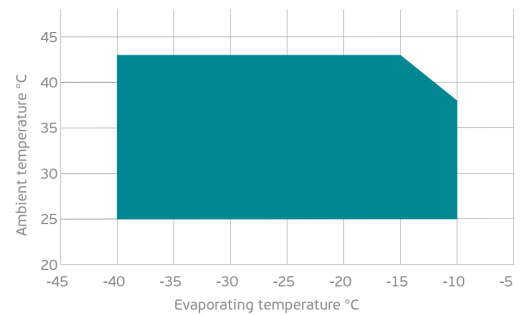
EXTERNAL DIMENSIONS



WIRING DIAGRAM



OPERATING ENVELOPE



COMPONENTS (SPARE PARTS)

condenser:	3R11T	2451206
valve_suca:	FLARE 3/8"	2110059
compressor:	NEK2134GK	958AA51..AM

fankit:	16W 254/28°/5B	1996579
valve_disch:	FLARE 1/4"	2110085
elkit:	ELKOM NEK2134GK	958AA51N1A

For additional accessories please contact our technical support

ELECTRICAL DATA

Motor Type: CSIR -
Locked Rotor Amperage (RLA): 16.1 A
Max.Current: 2.77 A

At maximum evaporating temperature and maximum ambient temperature.

FAN MOTOR

Number: 1 -
Shaft Power: 16 W
Air Flow: 595 m³/hod
Blade Diameter: 254 mm

PERFORMANCE CURVE DATA

Standard: EN13215-RG20 / return gas 20°C, subcooling 3K

50 Hz

	Evaporating Temperature (°C)	Cooling Capacity (W)	Power Consumption (W)	Current Consumption (A)	Efficiency (W/W)
25°C Ambient Temperature	-10°C	849	465	3.02	1.83
	-15°C	711	428	2.88	1.66
	-20°C	586	393	2.75	1.49
	-25°C	475	360	2.65	1.32
	-30°C	378	329	2.56	1.15
	Rated point -35°C	295	300	2.50	0.98
	-40°C	227	274	2.46	0.83
32°C Ambient Temperature	-10°C	758	490	3.10	1.55
	-15°C	633	448	2.95	1.41
	-20°C	521	408	2.80	1.28
	-25°C	421	371	2.68	1.14
	-30°C	335	335	2.57	1.00
	Rated point -35°C	261	303	2.48	0.86
	-40°C	201	273	2.42	0.74
43°C Ambient Temperature	-15°C	514	477	3.04	1.08
	-20°C	419	431	2.87	0.97
	-25°C	336	387	2.72	0.87
	-30°C	263	347	2.59	0.76
	Rated point -35°C	202	309	2.47	0.65
	-40°C	152	274	2.38	0.56