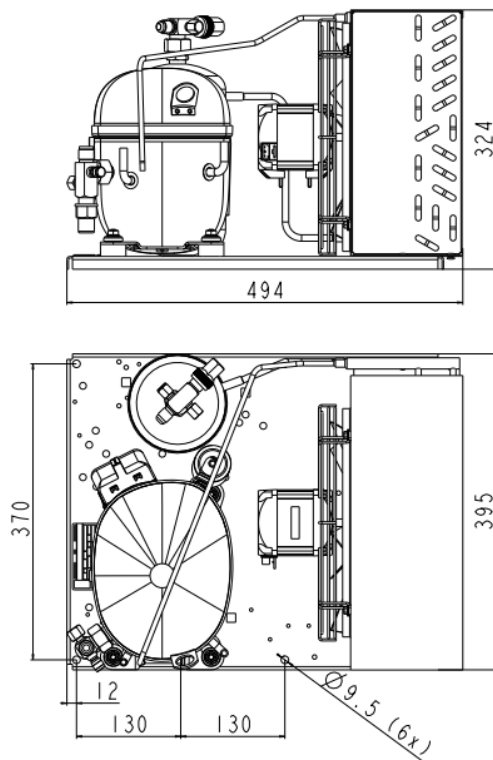


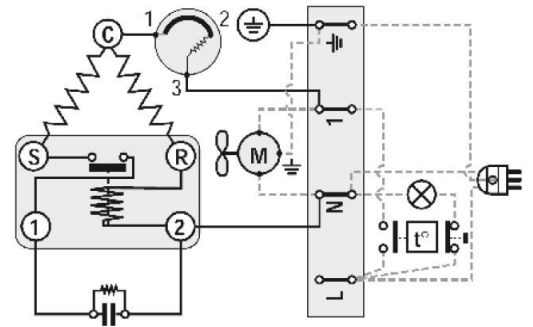
### GENERAL DATA

<b>Application:</b>	M/HBP
<b>Refrigerant:</b>	R404A
<b>Expansion Device:</b>	C-V
<b>Weight:</b>	31.8 kg
<b>Receiver:</b>	2.3 liter
<b>Voltage/Frequency:</b>	220 - 240 V 50 ~
<b>Height:</b>	31.8 mm
<b>Length:</b>	494 mm
<b>Width:</b>	395 mm
<b>Institute Approvals:</b>	<b>CE</b>

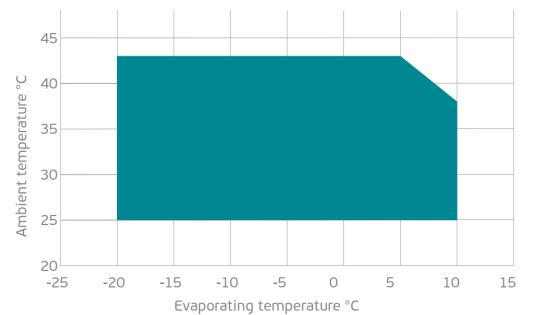
### EXTERNAL DIMENSIONS



### WIRING DIAGRAM



### OPERATING ENVELOPE



### COMPONENTS (SPARE PARTS)

<b>condenser:</b>	3R12T	2451218
<b>valve_suca:</b>	FLARE 1/2"	2110057
<b>fankit:</b>	34W 275/31°/5B	1996588

<b>valve_disch:</b>	FLARE 3/8"	2110056
<b>compressor:</b>	NT6217GK	922AA09..AC
<b>elkit:</b>	ELKOM NT6217GK	922AA0413A

For additional accessories please contact our technical support

**ELECTRICAL DATA**

**Motor Type:** CSIR -  
**Locked Rotor Amperage (RLA):** 23 A  
**Max.Current:** 3.64 A

At maximum evaporating temperature and maximum ambient temperature.

**FAN MOTOR**

**Number:** 1 -  
**Shaft Power:** 34 W  
**Air Flow:** 640 m<sup>3</sup>/hod  
**Blade Diameter:** 275 mm

**PERFORMANCE CURVE DATA**

Standard: EN13215\_RG20 / return gas 20°C, subcooling 3K

50 Hz

	Evaporating Temperature (°C)	Cooling Capacity (W)	Power Consumption (W)	Current Consumption (A)	Efficiency (W)
<b>25°C</b> Ambient Temperature	10°C	2 162	800	4.08	2.70
	5°C	1 900	756	3.89	2.51
	0°C	1 642	709	3.68	2.32
	-5°C	1 394	660	3.47	2.11
	Rated point -10°C	1 162	611	3.27	1.90
	-15°C	951	564	3.08	1.69
	-20°C	769	521	2.91	1.48
<b>32°C</b> Ambient Temperature	10°C	1 965	825	4.21	2.38
	5°C	1 728	780	4.01	2.22
	0°C	1 494	731	3.79	2.04
	-5°C	1 268	680	3.58	1.86
	Rated point -10°C	1 056	630	3.37	1.68
	-15°C	864	582	3.17	1.49
	-20°C	698	537	3.00	1.30
<b>43°C</b> Ambient Temperature	5°C	1 516	837	4.25	1.81
	0°C	1 308	778	3.99	1.68
	-5°C	1 106	717	3.73	1.54
	Rated point -10°C	915	657	3.48	1.39
	-15°C	741	599	3.24	1.24
	-20°C	591	545	3.03	1.08