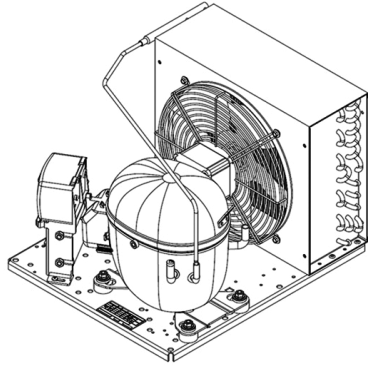


UNT6217GK



ENGINEERING CODE
604AA5304AA



REFRIGERANT
R-404A



POWER SUPPLY
220-240 V 50 Hz



APPLICATION
HBP



MOTOR TYPE
CSR



STANDARD
EN13215_RG20



COOLING CAPACITY
1088 W



EFFICIENCY
1.71 W/W

CE

ECODESIGN
COMPLIANT

DATA

GENERAL DATA

Model UNT6217GK

ELECTRICAL DATA

Locked Rotor Amperage (LRA) 23.00 A

Rated Load Amperage (RLA) 3.64 A

Maximum Overcurrent Protection (MOP) 8.19 A

Minimum Current Ampacity (MCA) 4.5 A

CONDENSING COMPONENTS

Compressor NT6217GK M/HBP

Condenser 3R12T 2451218

Refrigerant R-404A

Expansion Device C-V

Fan Blade Diameter 275 mm

Fankit 34W 275/31/5B 1996583

MECHANICAL DATA

Air Flow	640 m ³ /h
Height	324 mm
Shaft Power	34 W
Weight	29 Kg
Width	395 mm
Length	494 mm

PERFORMANCE

TESTED CONDITIONS

Tested Refrigerant	R-404A
Tested Application	HBP
Tested Standard	EN13215_RG20

RATED POINTS

Ambient Temperature °C	Evaporating Temperature °C	Cooling Capacity W	Efficiency W/W	Consumo de Potencia W
32	-10	1088	1.71	637

Test Condition: Subcooling 3 K, Return Gas 20 °C.

PERFORMANCE CURVE

Ambient Temperature 25°C

Evaporating Temperature °C	Cooling Capacity W	Efficiency W/W	Consumo de Potencia W
-20	802	1.51	531
-15	989	1.72	573
-5	1427	2.14	667
0	1675	2.33	718
5	1939	2.51	773
10	2218	2.66	833

Test Condition: Subcooling 3 K, Return Gas 20 °C.

PERFORMANCE CURVE

Ambient Temperature 32°C

Evaporating Temperature °C	Cooling Capacity W	Efficiency W/W	Consumo de Potencia W
-20	730	1.33	548
-15	898	1.52	591
-5	1296	1.89	687
0	1522	2.06	740
5	1763	2.21	797
10	2017	2.35	859

Test Condition: Subcooling 3 K, Return Gas 20 °C.

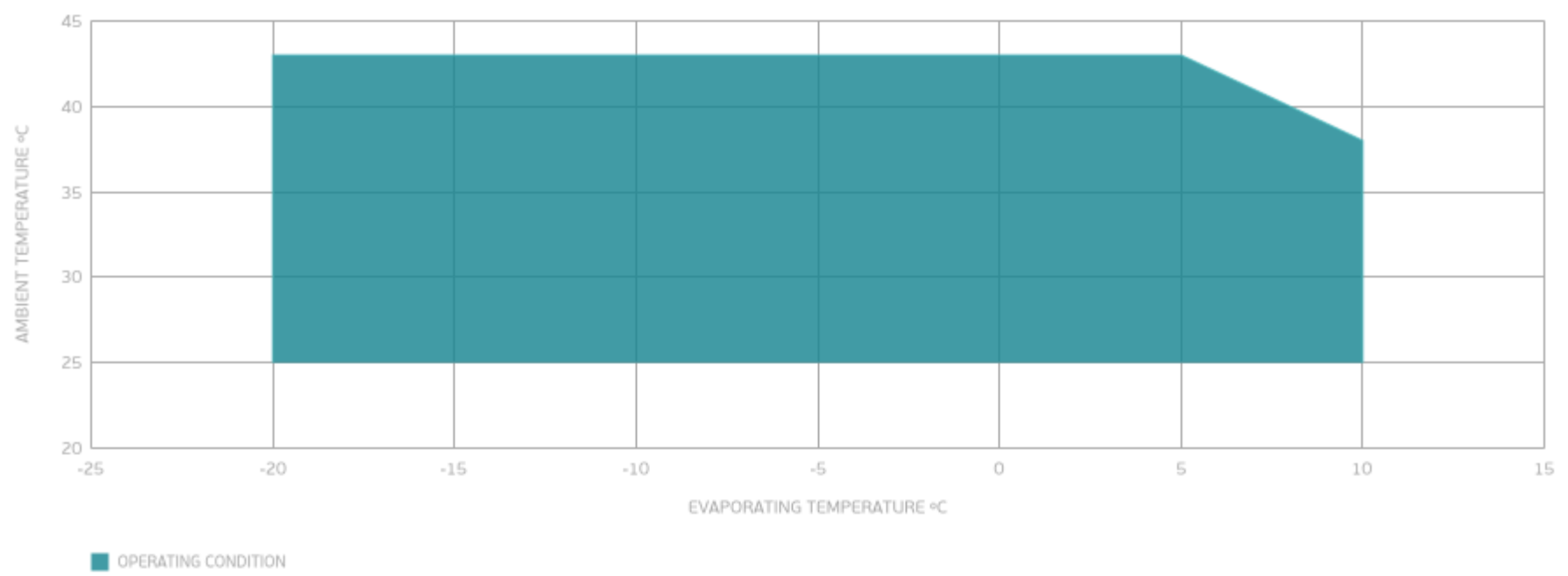
PERFORMANCE CURVE

Ambient Temperature 43°C

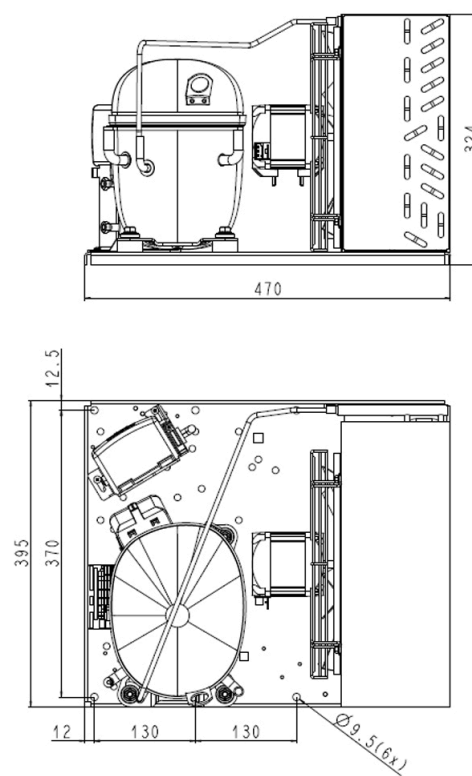
Evaporating Temperature °C	Cooling Capacity W	Efficiency W/W	Consumo de Potencia W
-20	620	1.07	580
-15	763	1.22	626
-5	1103	1.51	728
0	1296	1.65	785
5	1503	1.77	847

Test Condition: Subcooling 3 K, Return Gas 20 °C.

ENVELOPE



EXTERNAL DIMENSIONS



WIRING DIAGRAM

