

Condensing unit
Voltage Code : FZ

CAJN4511YHR-FZ

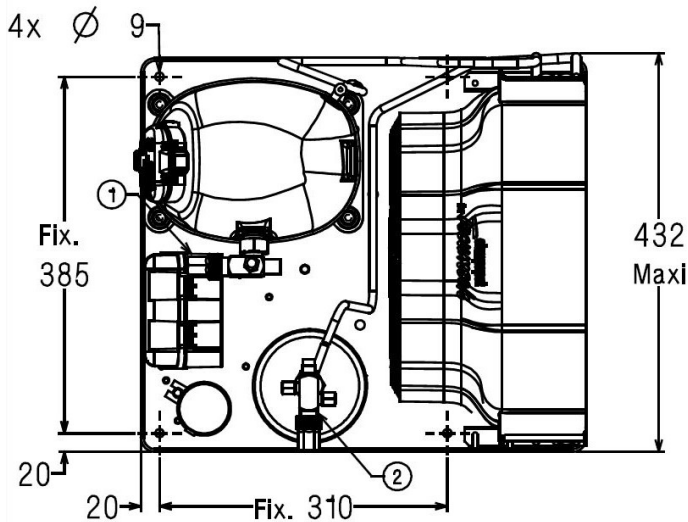
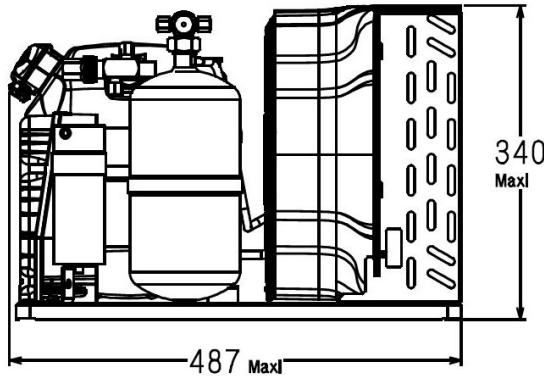
High Temp. Commercial (HP)

220 - 240V 1~ 50 Hz

R134a / R513A

CAJN4511YHR-FZ

Conditions	Frequency	Nominal Cooling Capacity		Sound Power ISO3745 / ISO 3743-1
		Watts	BTU/h	
EN13215 / R134a	50 Hz	1506	5136	64 dBA
EN13215 / R513A	50 Hz	1619	5520	64 dBA



* EN13215 : T°Ambient 32.0°C / T°Evap. -10.0°C / T°Return gas temp.. 20.0°C
T°Subcooling. 3.0K

Net Weight (Kg)	35.0
Expansion device	Expansion_Valve
Air Flow (m³/h)	900
Compo Data Sheet	214QT-FZ
Elec Comp Type	CSR
Current (Amp)	
Load Rated Amp	5.3
Max Cont Current	8.8
Lock Rotor Amp	30
Fan	
Speed (rpm)	1200
Power (W)	30.0
Diameter (mm)	300
Protection	Overload
IP Level	IP54
Condenser	300/3900
Liquid Receiver	
Capacity (L)	2.35
Maximum Pressure (Bars)	32.0
Suction Line	
Suction Type	Vanne Orientable
For Tubing Out Diam	15.9 (5/8")
Suction Connection Type	Brased
Liquid Line	
Liquid Line Type	Vanne Orientable
For Tubing Out Diam	9.5 (3/8")
Liquid Connecton Type	Brased
Connection Type	VR
Fan Guard	maille < à 8mm

Note : Tecumseh reserves the right to change information contained in this document without notification.



Tecumseh

CAJN4511YHR-FZ	Tension FZ : 220 - 240V 1~ 50 Hz
-----------------------	---

Les performances sont données dans les **conditions EN13215** :
 Condition Dew
 The performance data are in **EN13215 conditions** :
 Dew Condition

Gaz aspirés : 20.0 °C
 Sous refroidissement : 3.0 K
 Return gas : 20.0 °C
 Subcooling : 3.0 K

50 Hz R134a											
N°5041											
5 T ambience	6 T évaporation	(°C)	-25	-20	-15	-10	-5	0	5	10	15
25	1 P frigorifique	(Watt)	797	1052	1341	1662	2008	2375	2754	3136	3512
	2 P absorbée	(W)	527	610	695	787	887	1001	1131	1283	1461
	3 I absorbée	(A)	2.56	2.89	3.26	3.68	4.15	4.68	5.27	5.92	6.65
	4 Tc	(°C)	32.1	34.7	37.4	40.4	43.6	47.0	50.6	54.5	58.5
32	1 P frigorifique	(Watt)		938	1209	1506	1823	2155	2494	2831	
	2 P absorbée	(W)		611	706	807	917	1041	1182	1345	
	3 I absorbée	(A)		2.88	3.29	3.75	4.25	4.82	5.44	6.13	
	4 Tc	(°C)		40.4	43.1	46.0	49.1	52.4	56.0	59.7	
43	1 P frigorifique	(Watt)			993	1254	1526	1804			
	2 P absorbée	(W)			706	827	957	1100			
	3 I absorbée	(A)			3.30	3.82	4.39	5.00			
	4 Tc	(°C)			52.0	54.8	57.8	60.9			

50 Hz R513A											
N°6458											
5 T ambience	6 T évaporation	(°C)	-25	-20	-15	-10	-5	0	5	10	15
25	1 P frigorifique	(Watt)	935	1196	1485	1797	2126	2464	2803	3131	3439
	2 P absorbée	(W)	575	660	747	840	943	1061	1200	1363	1555
	3 I absorbée	(A)	2.56	2.89	3.26	3.68	4.15	4.68	5.27	5.92	6.65
	4 Tc	(°C)	32.1	34.7	37.4	40.4	43.6	47.0	50.6	54.4	58.5
32	1 P frigorifique	(Watt)	811	1061	1331	1619	1917	2220	2518	2802	
	2 P absorbée	(W)	558	655	753	857	972	1102	1253	1428	
	3 I absorbée	(A)	2.51	2.88	3.29	3.75	4.25	4.82	5.44	6.13	
	4 Tc	(°C)	37.9	40.4	43.1	46.0	49.1	52.4	56.0	59.7	
43	1 P frigorifique	(Watt)			1079	1331	1585	1833			
	2 P absorbée	(W)			745	872	1010	1162			
	3 I absorbée	(A)			3.30	3.82	4.39	5.00			
	4 Tc	(°C)			52.0	54.8	57.7	60.9			

1 = cooling capacity 2 = power input 3 = current 4 = condensing temperature 5 = ambient temperature 6 = evaporating temperature

Nota : Tecumseh se réserve le droit de modifier les informations contenues dans ce document sans préavis.

Note : Tecumseh reserves the right to change information contained in this document without notification.

© 2021 Tecumseh Products Company
All rights reserved