

Condensing unit
Voltage Code : FZ

CAJN4476YHR-FZ

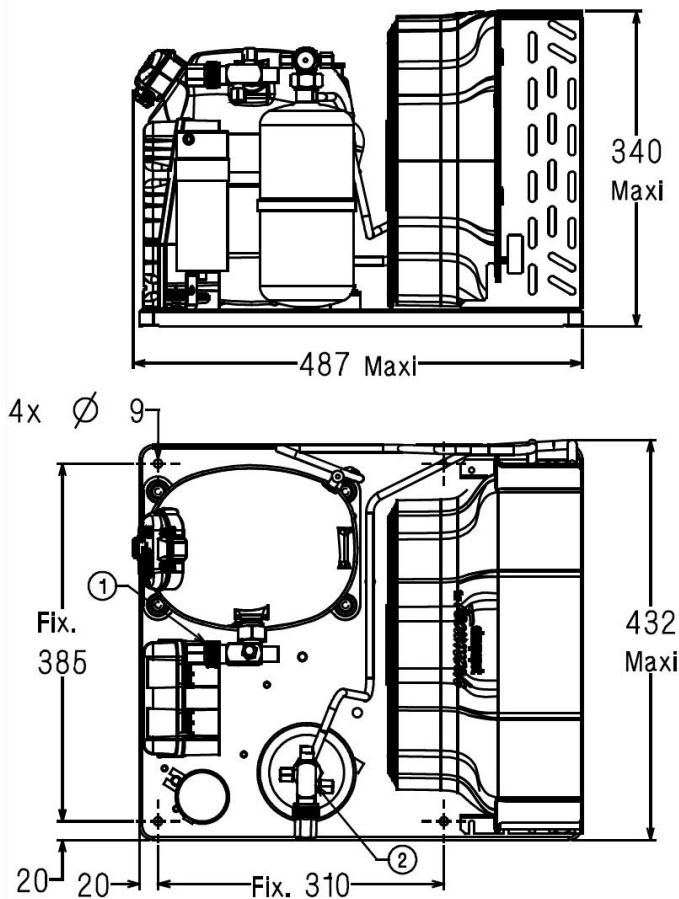
High Temp. Commercial (HP)

220 - 240V 1~ 50 Hz

R134a / R513A

CAJN4476YHR-FZ

Conditions	Frequency	Nominal Cooling Capacity		Sound Power ISO3745 / ISO 3743-1
		Watts	BTU/h	
EN13215 / R134a	50 Hz	982	3349	62 dBA
EN13215 / R513A	50 Hz	1047	3570	62 dBA



* EN13215 : T°Ambient 32.0°C / T°Evap. -10.0°C / T°Return gas temp.. 20.0°C
T°Subcooling. 3.0K

Net Weight (Kg)	29.0
Expansion device	Expansion_Valve
Air Flow (m³/h)	900
Compo Data Sheet	214GS-FZ
Elec Comp Type	CSIR
Current (Amp)	
Load Rated Amp	4.9
Max Cont Current	7.1
Lock Rotor Amp	23
Fan	
Speed (rpm)	1200
Power (W)	30.0
Diameter (mm)	300
Protection	Overload
IP Level	IP54
Condenser	300/3900
Liquid Receiver	
Capacity (L)	1.5
Maximum Pressure (Bars)	32.0
Suction Line	
Suction Type	Vanne Orientable
For Tubing Out Diam	12.7 (1/2")
Suction Connection Type	Brased
Liquid Line	
Liquid Line Type	Vanne Orientable
For Tubing Out Diam	9.5 (3/8")
Liquid Connecton Type	Brased
Connection Type	VR
Fan Guard	maille < à 8mm


Note : Tecumseh reserves the right to change information contained in this document without notification.



Tecumseh

CAJN4476YHR-FZ	Tension FZ : 220 - 240V 1~ 50 Hz
-----------------------	---

Les performances sont données dans les conditions EN13215 :	Gaz aspirés :	20.0 °C
Condition Dew	Sous refroidissement :	3.0 K
The performance data are in EN13215 conditions :	Return gas :	20.0 °C
Dew Condition	Subcooling :	3.0 K

50 Hz R134a												
												N°5037
5 T ambience	6 T évaporation	(°C)	-25	-20	-15	-10	-5	0	5	10	15	
25	1 P frigorifique	(Watt)	485	664	870	1106	1371	1664	1983	2325	2688	
	2 P absorbée	(W)	411	465	518	571	628	689	758	837	928	
	3 I absorbée	(A)	3.93	4.02	4.14	4.27	4.44	4.64	4.89	5.17	5.51	
	4 Tc	(°C)	29.8	31.4	33.1	35.1	37.4	39.8	42.6	45.5	48.7	
32	1 P frigorifique	(Watt)	397	568	762	982	1227	1497	1790	2104	2435	
	2 P absorbée	(W)	399	463	525	587	652	722	799	887	987	
	3 I absorbée	(A)	3.81	3.95	4.11	4.29	4.50	4.74	5.02	5.34	5.71	
	4 Tc	(°C)	36.5	37.9	39.5	41.4	43.5	45.8	48.4	51.3	54.3	
43	1 P frigorifique	(Watt)			585	780	995	1229	1481	1750		
	2 P absorbée	(W)			518	598	680	766	860	963		
	3 I absorbée	(A)			4.06	4.31	4.58	4.89	5.23	5.61		
	4 Tc	(°C)			49.6	51.2	53.1	55.3	57.7	60.3		

50 Hz R513A											
										N°6456	
5 T ambience	6 T évaporation	(°C)	-25	-20	-15	-10	-5	0	5	10	15
25	1 P frigorifique	(Watt)	562	749	957	1190	1449	1735	2047	2382	2735
	2 P absorbée	(W)	450	505	558	612	669	733	805	888	986
	3 I absorbée	(A)	4.31	4.37	4.46	4.58	4.74	4.94	5.19	5.49	5.86
	4 Tc	(°C)	29.8	31.4	33.1	35.1	37.4	39.8	42.6	45.5	48.7
32	1 P frigorifique	(Watt)	459	636	831	1047	1286	1550	1836	2144	2468
	2 P absorbée	(W)	431	497	561	625	693	766	847	940	1048
	3 I absorbée	(A)	4.12	4.25	4.39	4.57	4.78	5.03	5.32	5.67	6.07
	4 Tc	(°C)	36.5	37.9	39.5	41.4	43.5	45.8	48.4	51.3	54.3
43	1 P frigorifique	(Watt)		454	628	818	1028	1257	1505	1771	
	2 P absorbée	(W)		462	547	632	718	810	910	1022	
	3 I absorbée	(A)		4.06	4.29	4.55	4.84	5.17	5.54	5.95	
	4 Tc	(°C)		48.2	49.6	51.2	53.1	55.3	57.7	60.3	

1 = cooling capacity 2 = power input 3 = current 4 = condensing temperature 5 = ambient temperature 6 = evaporating temperature

Nota : Tecumseh se réserve le droit de modifier les informations contenues dans ce document sans préavis.

Note : Tecumseh reserves the right to change information contained in this document without notification.

© 2021 Tecumseh Products Company
All rights reserved